

# AD 1000 iQ

Fume Extraction System - Advantage Range

## Datasheet

Technical Specification and Product Information

A system for medium to heavy-duty laser applications.

The AD 1000 iQ fume extraction system is a perfect choice for medium to heavy-duty applications that generate large amounts of particulate. With a greater airflow than the AD 500 iQ, it also offers significant filter capacity.

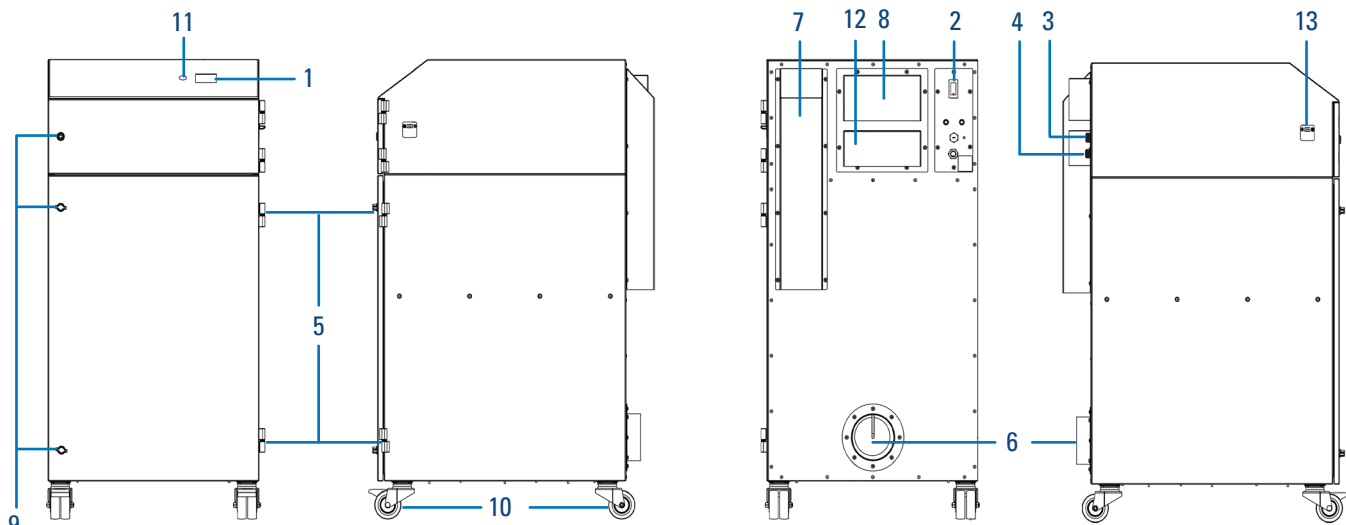
### FEATURES

- Real-time airflow reading
- Independent filter condition monitoring
- High contrast display
- Remote diagnostics via USB
- Long-life, low-cost replacement filters

Approvals: UKCA and CE | cUL | UL\*



### TECHNICAL SPECIFICATION

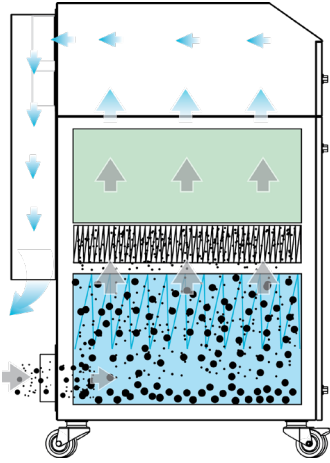
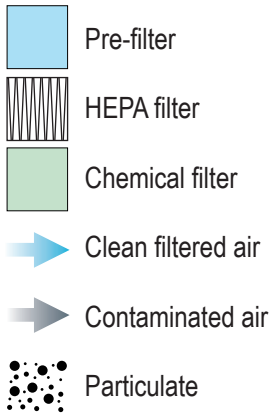


- |                           |   |                           |
|---------------------------|---|---------------------------|
| 1. iQ display             | 6. Hose inlet connection - 4.92" (125 mm) | 11. Standby button        |
| 2. On/off switch          | 7. Exhaust outlet                         | 12. Blower cooling outlet |
| 3. Power cable            | 8. Blower cooling inlet                   | 13. USB port              |
| 4. Signal/interface cable | 9. Door latches                           |                           |
| 5. Door hinges            | 10. Castors                               |                           |

### TECHNICAL DATA

Voltage	Unrestricted airflow** (+/- 10%)		Settable airflow range***		Pressure (+/- 6%)	Dimensions (H x W x D)		Weight (+/- 5%)		Noise level****	Frequency	Full load current
	V	cfm	m <sup>3</sup> /hr	cfm		m <sup>3</sup> /hr	in	mm	lbs			
115	515	875	177-430	300-730	65	47.4 x 24.4 x 31.1	1205 x 620 x 790	324	147	< 85	50/60	19.5
230			177-459	300-780	60							12.5

## AIRFLOW



## FILTER SPECIFICATIONS

Model	Surface media area (approx)		Filter efficiency
	ft <sup>2</sup>	m <sup>2</sup>	
DeepPleat DUO pre-filter	322.8	30	F8 50% @ 0.3 microns
Combined filter (HEPA)	80.7	7.5	99.995% @ 0.3 microns

Model	Activated carbon volume	
	ltr	
Combined filter (gas)	53.7	

## PART NUMBERS - FILTERS

DeepPleat DUO pre-filter	Combined filter
1UA1030222	1UA1030297

**BIELEC** www.bielec.es **BARCELONA INSTRUMENTS ELECTRONICS, S.L.**  
 Rosselló, 20 - 08029 BARCELONA  
 Tel.: 93 280 29 89  
 ventas@bielec.es

Datasheet correct at time of publishing. Where applicable, the carbon used in Donaldson BOFA systems is capable of removing a wide range of VOCs, however it is the responsibility of the user to ensure the carbon is suitable for their application. For specific applications, please contact us for details.

### Important Notice

Many factors beyond the control of Donaldson can affect the use and performance of Donaldson products in a particular application, including the conditions under which the product is used. Since these factors are uniquely within the user's knowledge and control, it is essential the user evaluate the products to determine whether the product is fit for the particular purpose and suitable for the user's application. All products, product specifications, availability and data are subject to change without notice, and may vary by region or country.



Approvals: REACH and RoHS. See individual product technical data for specific accreditations.



### Donaldson BOFA

**UK & ROW**  
 Tel. +44 (0) 1202 699 444  
 Email. bofasales@donaldson.com  
 Web. donaldsonbofa.com

**Germany**  
 Email. bofavertrieb@donaldson.com

**USA**  
 Tel. +1 (618) 205 5007  
 Email. bofasalesus@donaldson.com

ENG (November 2024) Donaldson BOFA AD 1000 IQ Datasheet. ©2011-2024 Donaldson Company, Inc. Donaldson, Torit, Dalamatic, Delta P, Delta P Plus, Downflow, Dura-Life, Easy Duct, PowerCore, Synteq XP, Ultra-Web, Unimaster and the color blue are marks of Donaldson Company, Inc. All other marks belong to their respective owners.

## PART NUMBERS - SYSTEM

Description	Part number
Powder-coated, 230 V No options	1U30811503-A-1419
Powder-coated, 230 V No option, USA plug	1U30811503-A-1419-US
Powder-coated, 230 V 24 V S/S, SOK, USA plug	1U630811503-A-1419-US
Powder-coated, 230 V 24 V S/S, SOK, O/R	1U4680811503-A-1419
Powder-coated, 115 V No options	1U10810503-A-1419
Powder-coated, 115 V 24 V S/S, SOK, O/R	1U4665810503-A-1419
Powder-coated, 115 V 24 V S/S, SOK, O/R, USA plug	1U4665810503-A-1419-US
Stainless steel, 230 V 24 V S/S and SOK	1U630106503-A-1419

## CUSTOMIZATIONS

### Options

Power cables  
 Remote stop/start signal (S/S)  
 System OK signal (SOK)  
 Override (O/R)  
 VOC sensor  
 Exhaust box/exhaust spigot

### Cabinet construction

Brushed stainless steel  
 Powder-coated mild steel (RAL7016)

### Power cables

Type B  
 Type E  
 Type G  
 Type free ends

### Compatible accessories:

Spark Arrestor 2  
 ILF 600

\*cUL | UL: Tested to the appropriate standards, but testing may be provided by alternate nationally recognized test laboratories. Certain product configurations may affect the certification. Please speak to your sales representative.

\*\* Unrestricted airflow: The airflow values provided with clean filters, no hose kit, at 230 V, measured by using a wind vane. The numbers may vary depending on voltage and test procedure used.

\*\*\* Settable range: Donaldson BOFA recommends utilizing the lowest flow rate that achieves the correct capture velocity for your application in order to maximize filter life.

\*\*\*\* Noise level: At typical operating speed.